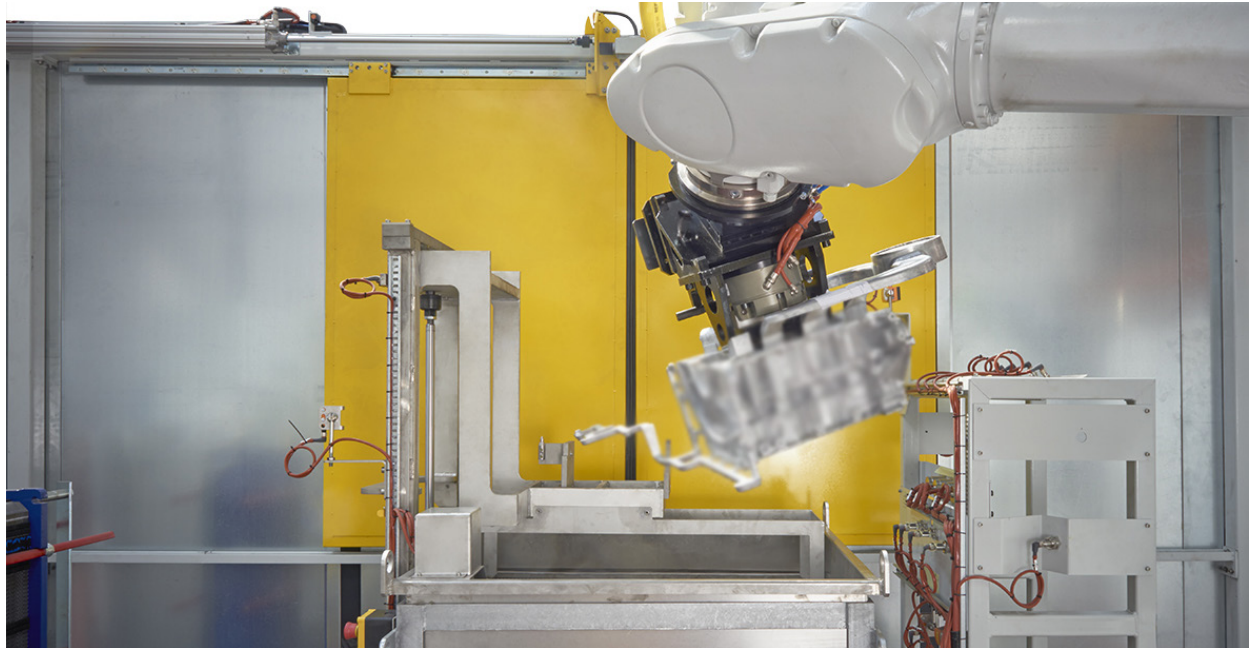




Air - cooling carousel

Water/Air-Water Mist

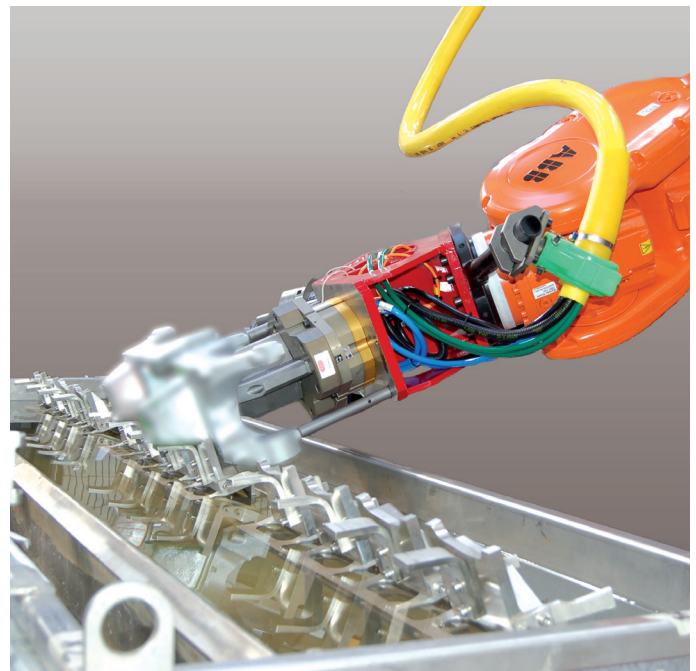
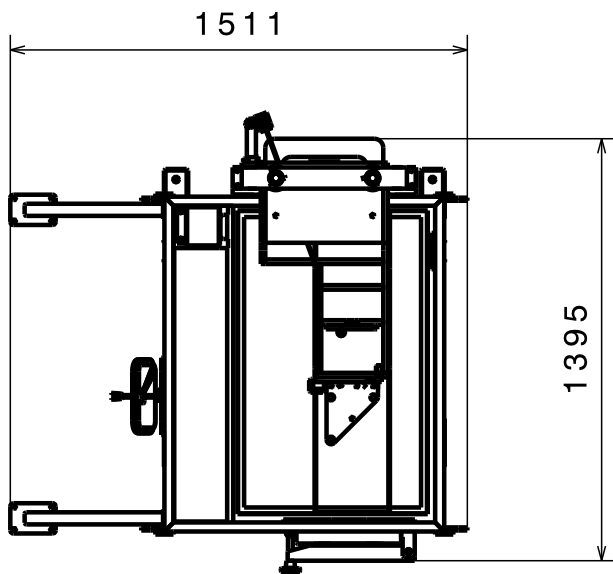


For cooling parts by immersion in water

Siif designs mechanized systems for water immersion as well as the process of maintaining the water temperature with specified values given by the foundryman.

- Solution adapted to not cored castings
- Low cost
- Compact solution

Water-Cooling Tank



Air - Overhead Conveyor